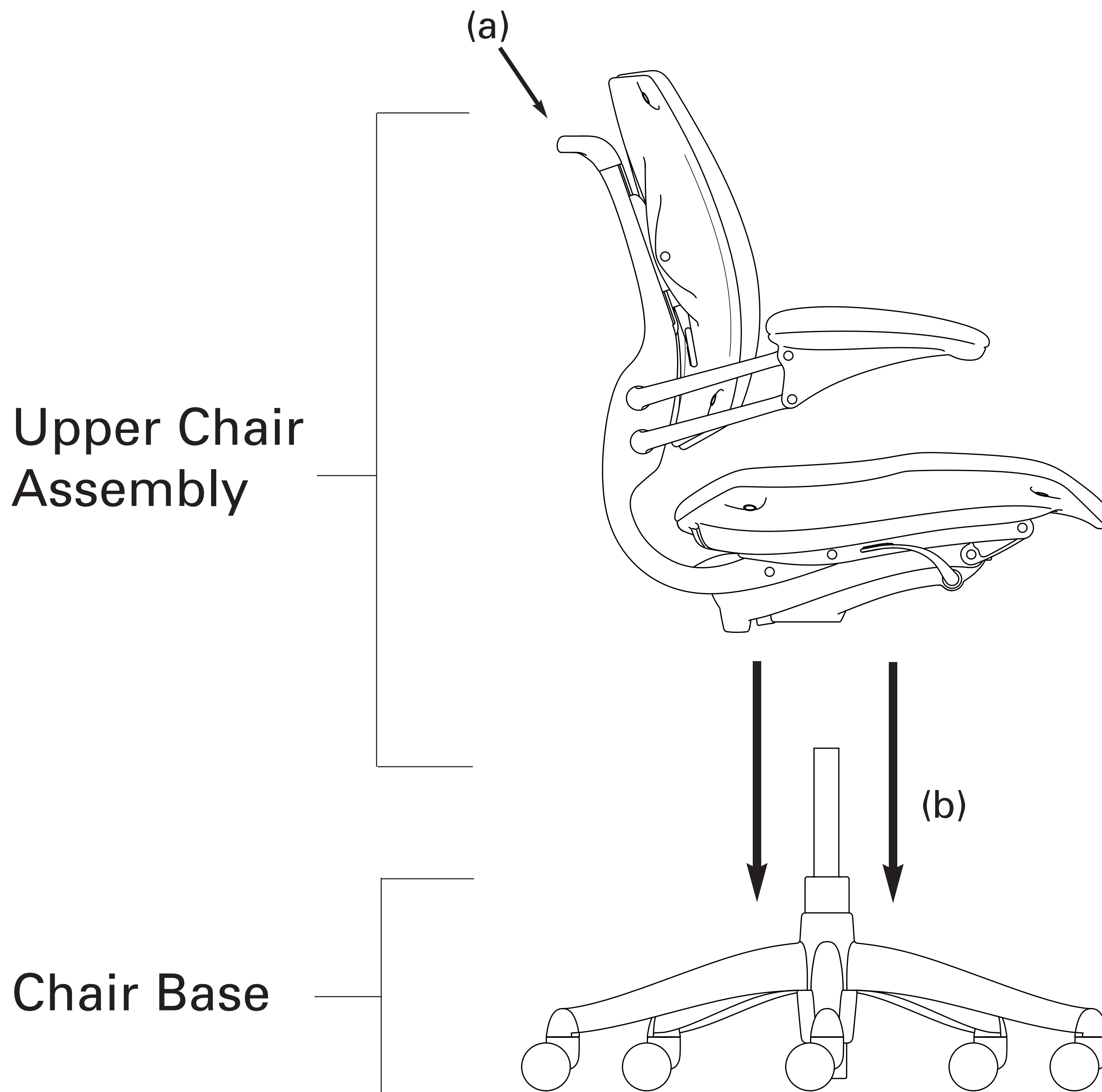


CHAIR ASSEMBLY INSTRUCTIONS



1. Open carton and remove chair base from shipping tray.
2. Place chair base on the floor in an upright position.
3. Remove upper chair assembly from carton by using handle on chair back. (a)
4. Slide hole located on bottom side of upper chair assembly onto cylinder. (b)
5. Press down firmly on seat cushion.
6. Sit in chair for final assembly.