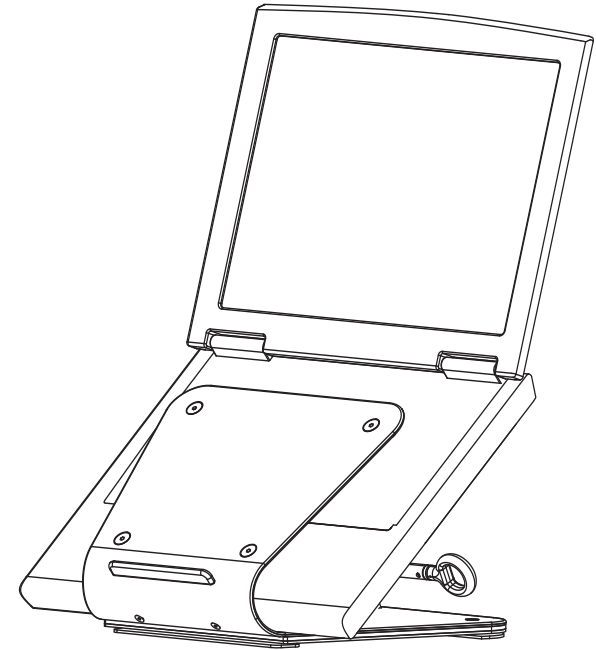


L2 Notebook Manager

Instructions



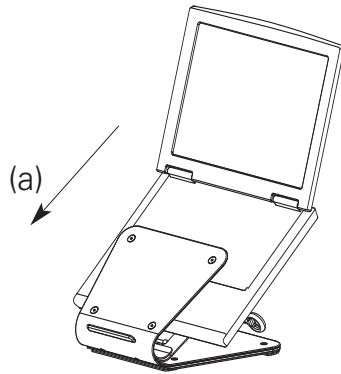
HSI-L2-707



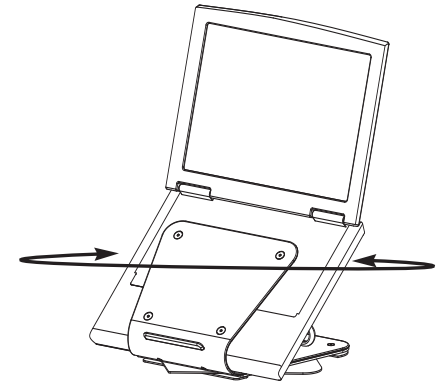
www.humanscale.com



1. Open notebook and slide into L2 as shown (a).

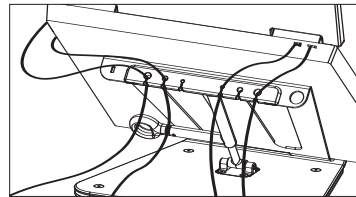


4. Swivel L2 to facilitate viewing of notebook screen by others.

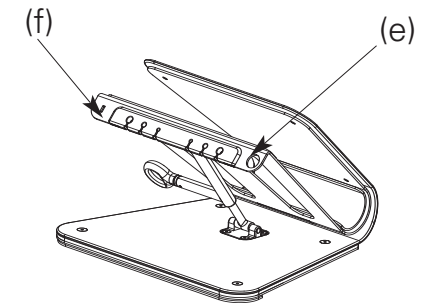


2. Connect power, keyboard, mouse, LAN/ Internet and other cables, using the L2's cable management system.

Note: The L2 is designed to allow cables to remain in place even when the notebook is removed. This saves time connecting the notebook the next time it is used with the L2.



5. To secure both L2 and notebook, loop security lock through security hole (e) before locking notebook. Or use security lock on key-hole (f) to lock L2 directly.



3. Pull out Height Adjustment Pin (b) to change viewing height of notebook screen. Release at desired height.

Note: top of screen should be at or just below eye level for long-term use.

